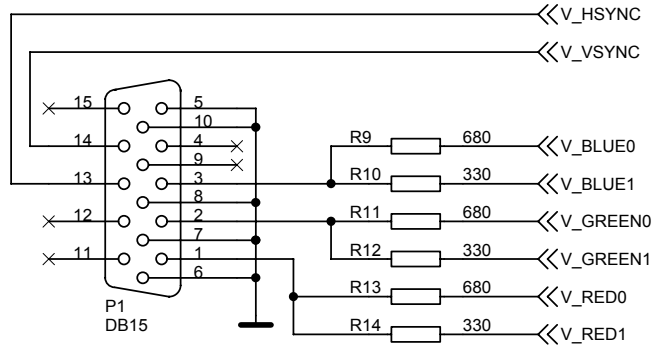
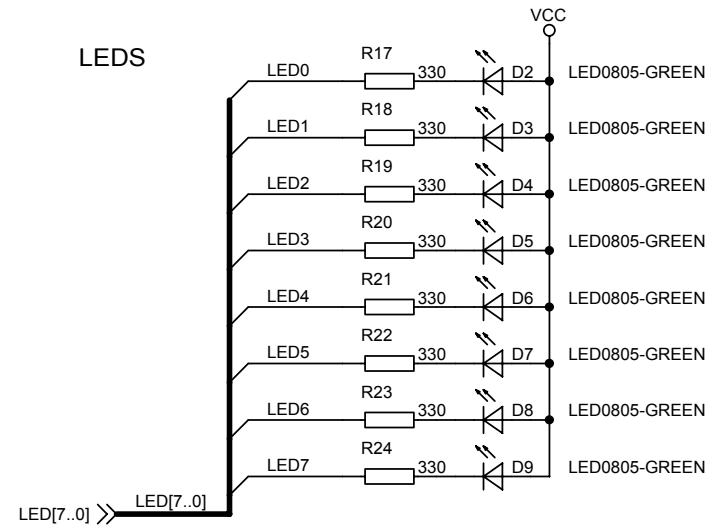


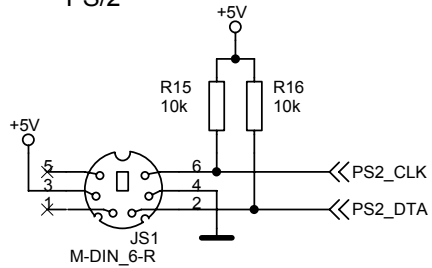
VGA



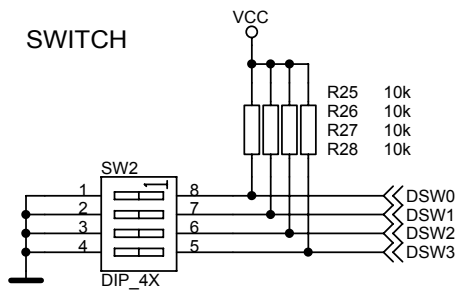
LEDS



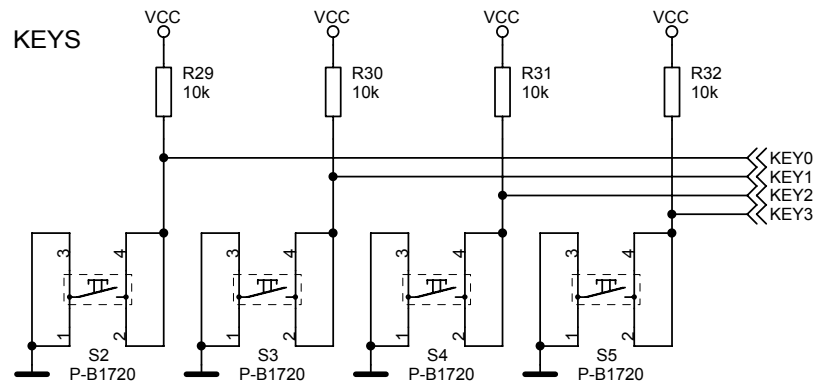
PS/2



SWITCH

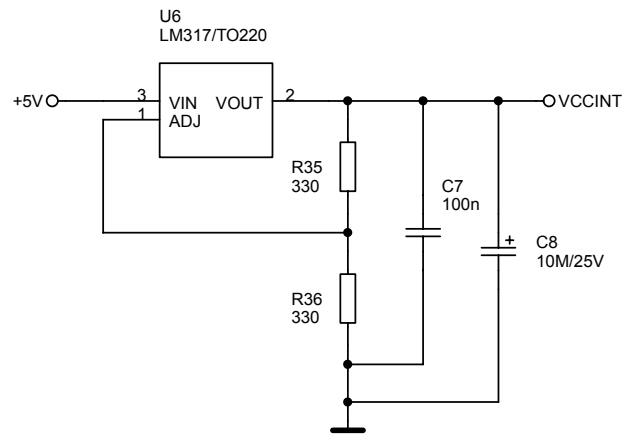
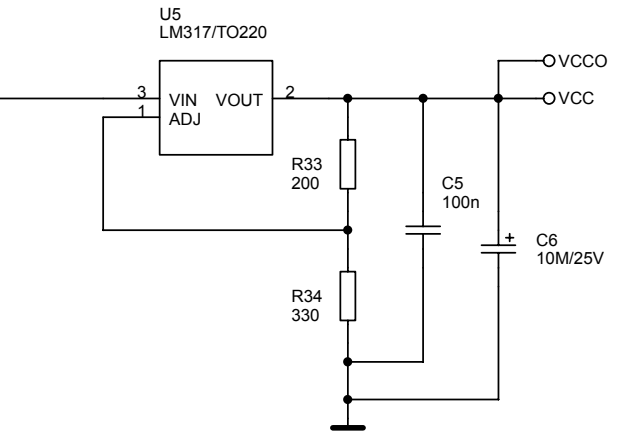
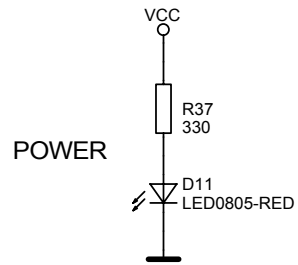
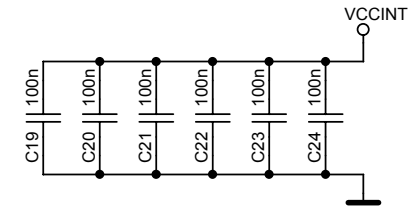
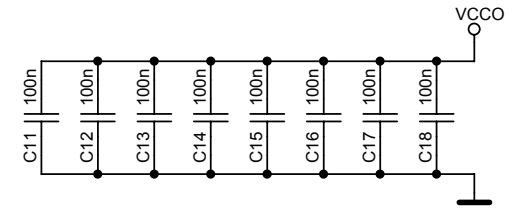
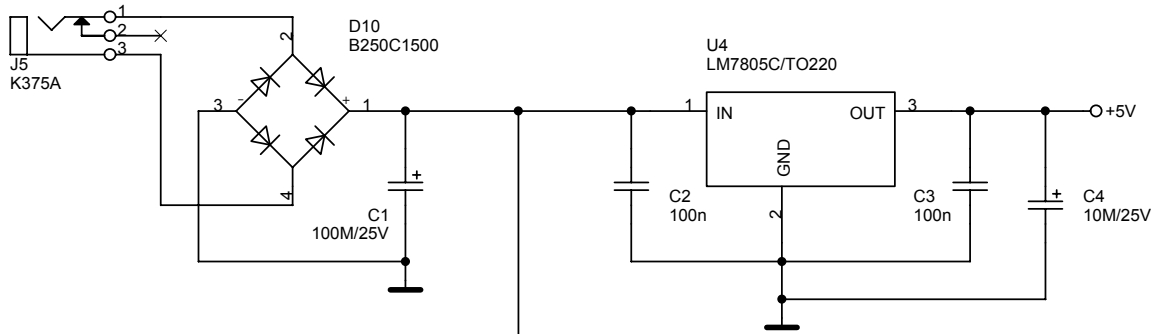


KEYS



Jan Pech		
http://fpga.f2g.net j.pech@sh.cvut.cz		
Title		
Xilinx Spartan-II Evaluation Board		
Size	Document Number	Rev
A4	0107-feS2	1.0A
Date:	Thursday, October 18, 2001	Sheet 2 of 3

9V AC/DC



Jan Pech		
http://fpga.f2g.net j.pech@sh.cvut.cz		
Title Xilinx Spartan-II Evaluation Board		
Size A4	Document Number 0107-feS2	Rev 1.0A
Date:	Thursday, October 18, 2001	Sheet 3 of 3